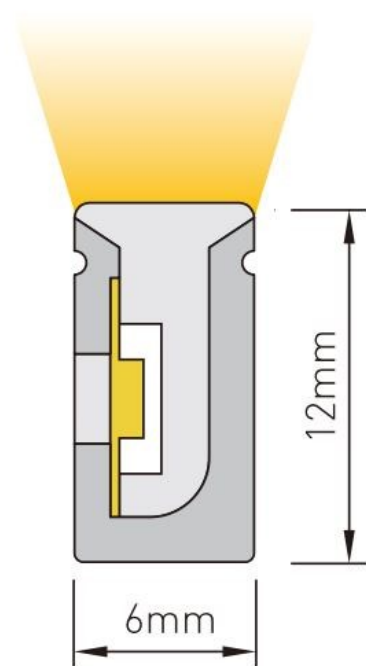


HELIFLEX



- Side bend 6x12mm
- 24v DC constant voltage
- 2700-6500k
- High UV resistance
- Salt water resistance
- Long run capability 19m

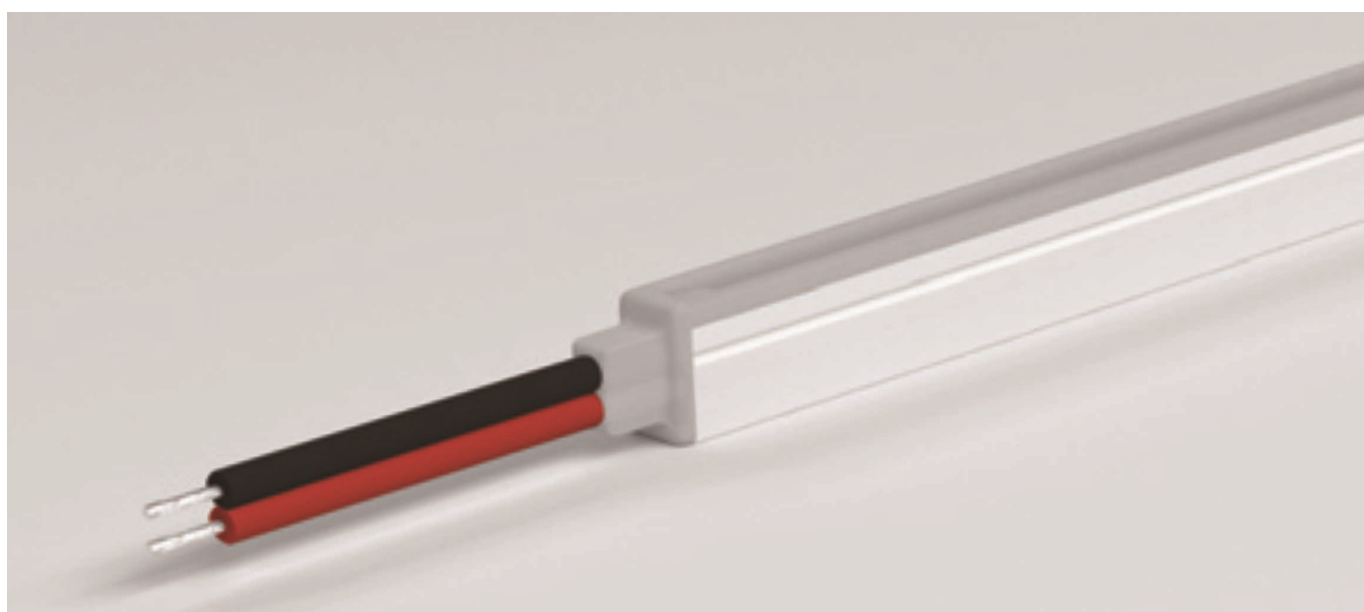


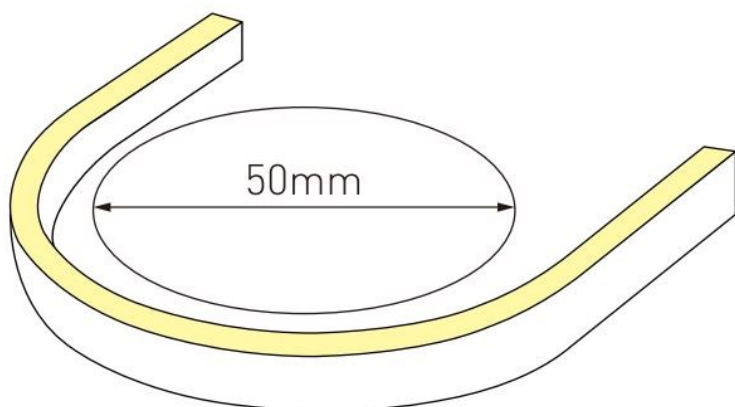
5w per metre (up to 19m powered one end)

CODE	V	W	COLOUR	CUT (mm)	Lm/m	MAX
HFP0612SB.5.27K	24	5	2700k	50		19m
HFP0612SB.5.3K	24	5	3000k	50	154	19m
HFP0612SB.5.4K	24	5	4000k	50		19m
HFP0612SB.5.65K	24	5	6500k	50		19m
HFP0612SB.5.RD	24	5	RED	50	82	19m
HFP0612SB.5.GR	24	5	GREEN	50	240	19m
HFP0612SB.5.BL	24	5	BLUE	50	30	19m

10w per metre (up to 10m powered one end)

CODE	V	W	COLOUR	CUT (mm)	Lm/m	MAX
HFP0612SB.10.27K	24	10	2700k	50		10m
HFP0612SB.10.3K	24	10	3000k	50	300	10m
HFP0612SB.10.4K	24	10	4000k	50		10m
HFP0612SB.10.65K	24	10	6500k	50		10m
HFP0612SB.10.RD	24	10	RED	50	160	10m
HFP0612SB.10.GR	24	10	GREEN	50	398	10m
HFP0612SB.10.BL	24	10	BLUE	50	52	10m





Min bending diameter

Front Cable Entry



Side Cable Entry



Bottom Cable Entry



Integral end cap



CODE	DESCRIPTION
HFP0612SB-MCU	FIXING CLIP 8 x 13 x 20mm
HFP0612SB.MC1M	FIXING CHANNEL 8 x 13 x 1000mm
HFP0612SB-PCE	END CAP THRU END + STOP END

