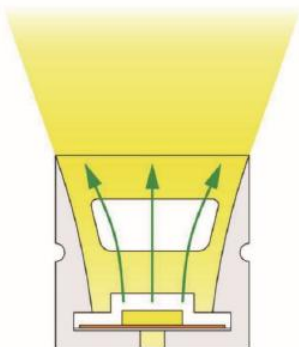
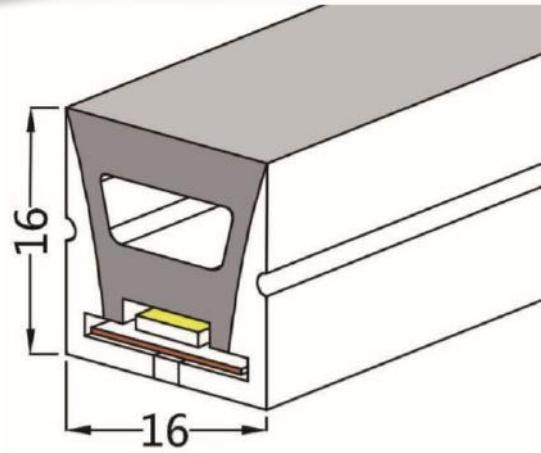


HELIFLEX

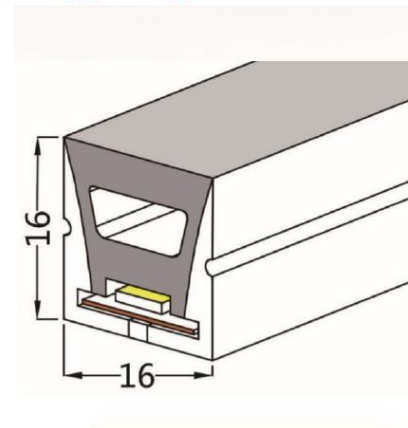
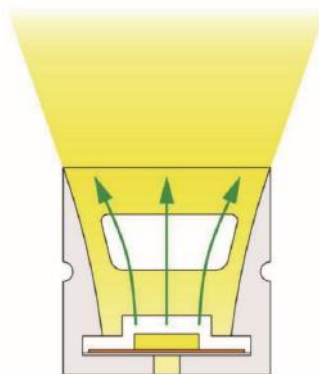
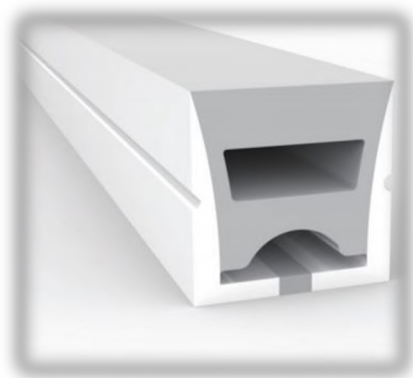


Heliflex 16x16mm

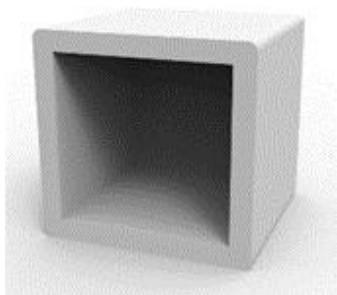
Top Bend | Single colour



HELIFLEX



Heliflex 16x16mm profile top bend HF1616TB



- Single colour 4.8w, 9.6w, 12w, 15w
- DC24v constant voltage | 50mm cut
- IP67 | -20 to 45deg C
- 2700k, 3000k, 4000k, 6500k
- Blue, Red, Green, Purple, Yellow, Orange
- Uniform dot free illumination
- Silicon extrusion technology
- High UV and salt water resistance
- High impact resistance
- Max Length 30m (4.8w), 25m (9.6w), 20m (12w), 10m (15w)
- Standard supply with 500mm cable
- Connectors and custom cable lengths
- Mounting clips U shape white
- Mounting channel anodised aluminium 1m



HELIFLEX



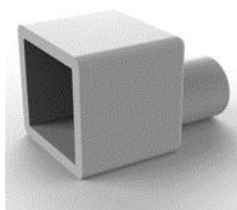
HF 1616TB.PCS

Power cord side



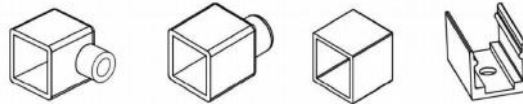
HF 1616TB.PCE

Power cord end



HF 1616TB.PCB

Power cord back



HF 1616 TB.MCU

Mounting clip



HFCON

Connectors male/ female

1m, 2m, 5m



HF 1616TB.MCH1M

Mounting Channel 1m

