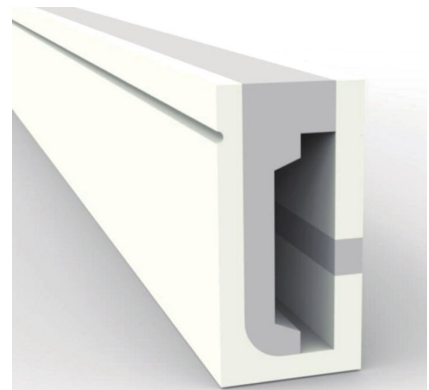
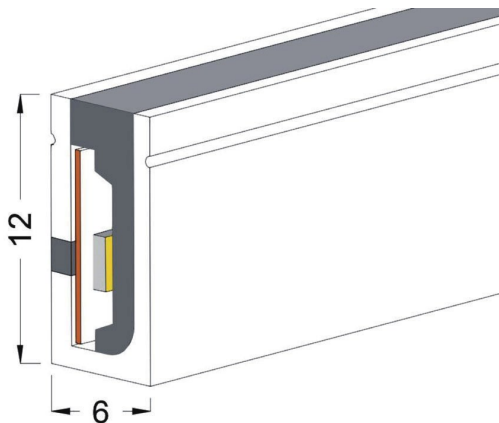


HELIFLEX

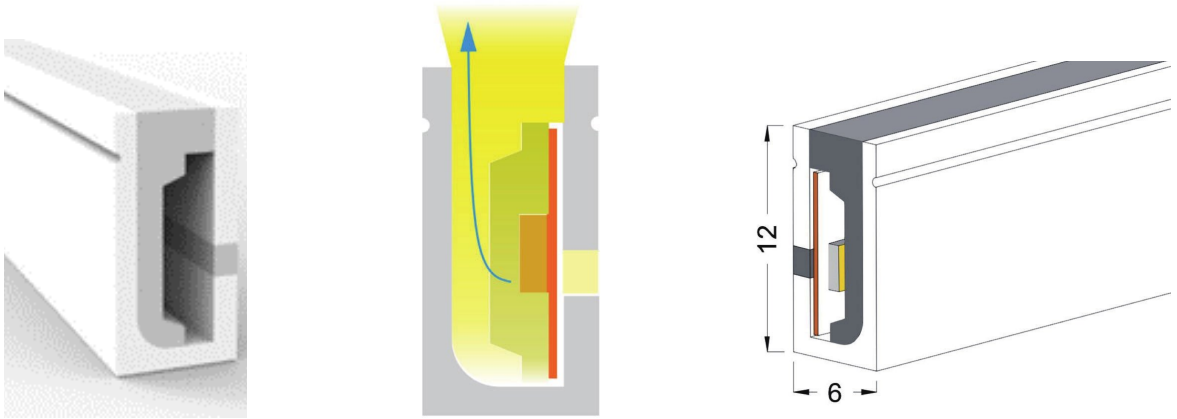


Heliflex 06x12mm

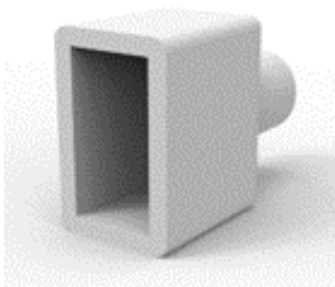
Side Bend | Neon Flex



HELIFLEX



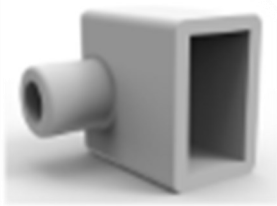
Heliflex 6x12mm Profile Side Bend HF0612SB



- Single Colour 4.8w, 9.6w
- DC24v constant voltage | 50mm cut
- IP67 | -20 to 45deg C
- 2700k, 3000k, 4000k, 6500k
- Blue, Red, Green, Purple, Yellow, Orange
- Uniform dot free illumination
- Silicon extrusion technology
- High UV and salt water resistance
- High impact resistance
- Max Length 10m
- 500mm hard wire cable as standard
- Connectors and custom tails optional
- Mounting clips U shape white
- Mounting channel anodised aluminium 1m



HELIFLEX



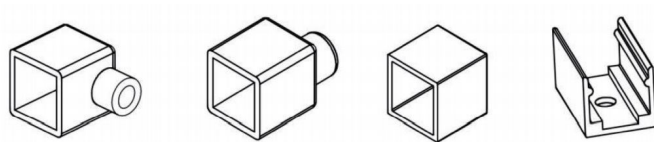
HF0612
Power cord side



HF0612
Endcap



HF0612
Power cord end



HF0612
Mounting clip



HFCON
Connectors male/ female
1m, 2m, 5m



HF0612.MCH1M
Mounting Channel 1m

